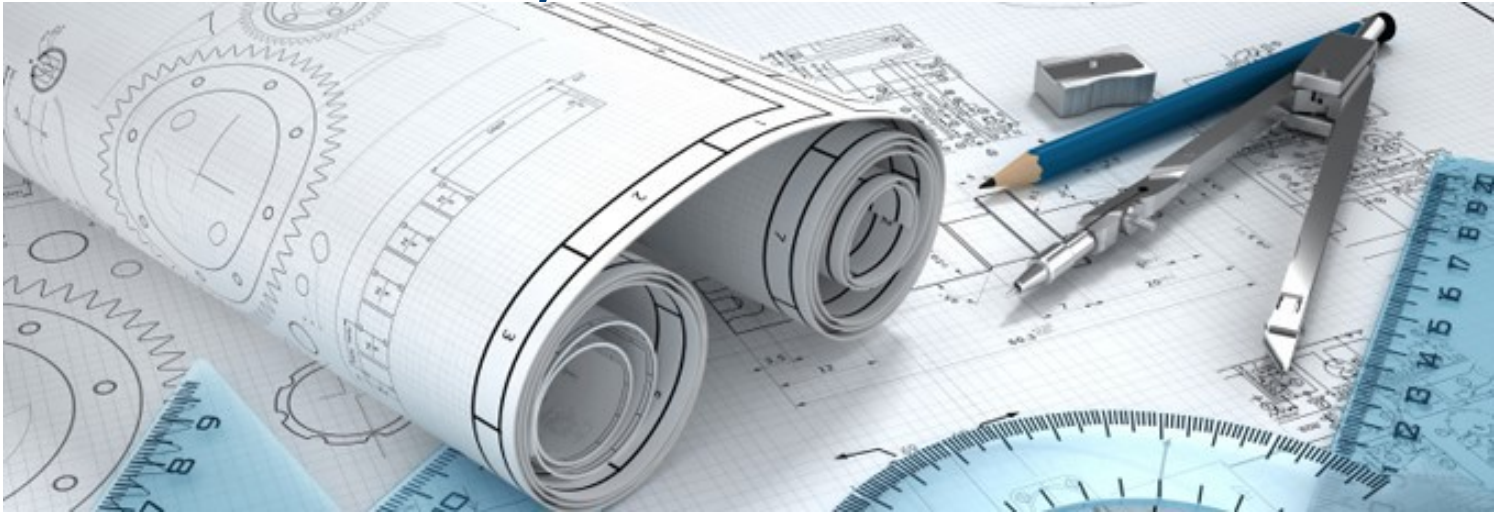


Where Paper and CAD Connect™



GTXRaster CAD® 2025 Series for

BricsCAD® Pro V25

GTXRaster CAD® Plus

- *Drawing Management*
- *PDF Support*
- *Image Cleanup*
- *Automatic Image Cleanup*
- *Raster Editing*
- *Hybrid Editing*
- *Raster to Vector Conversion*
- *Geometry Recognition*
- *Text Recognition*
- *Vector Cleanup*

GTXRaster CAD®

- *Drawing Management*
- *PDF Support*
- *Image Cleanup*
- *Automatic Image Cleanup*
- *Raster Editing*
- *Hybrid Editing*

If you use scanned paper drawings, either black and white or color, and BricsCAD V25 in your current engineering workflow, then the GTXRaster CAD® 2025 Series is a unique, cost-effective solution for bringing legacy drawings into your design environment. All commands, menus, and toolbars are consistent with the new BricsCAD V25, providing a productive and very easy-to-learn user interface, including the NEW customized GTX ribbon.

GTXRaster CAD Series is integrated with BricsCAD's Image Support Module (ISM), all commands, menus and toolbars are consistent with BricsCAD V25, providing a productive and very easy-to-learn user interface includes new, intuitive (making them easy to remember) menu and toolbar icons.

- Windows® 11, 10 and Windows® 8/8.1 64 bit Compatible Only.
- Fully BricsCAD Pro V25 Compatible.
- PDF Support for your scanned images, with this new feature you can open your PDF image, and edit it within BricsCAD, and save it as a Tiff or back to a PDF.
- Automatic Raster to Vector conversion for all your scanned images, including Geometry recognition and text recognition.
- Automatic and semi-automatic image cleanup, despeckle and deskew your image using the intuitive GTX Noise removal commands.
- Improved licensing, now includes Package and Borrow license options.
- Full Raster Editing, edit your scanned images using the powerful GTX raster manipulation commands.



BricsCAD®

Image Cleanup

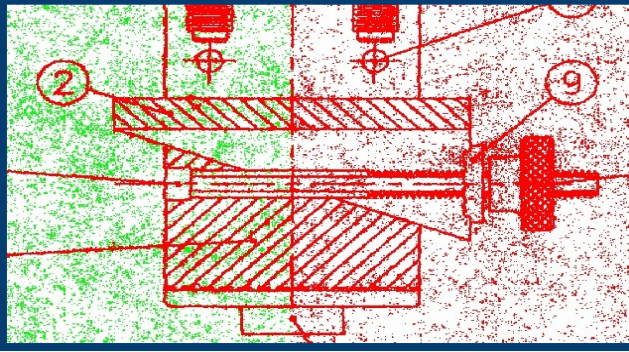


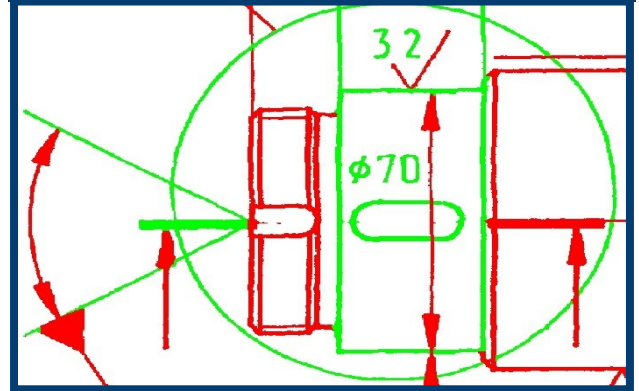
IMAGE CLEANUP

Quickly clean the scanned raster image using automatic image cleanup tools, or manually deskew, despeckle, and crop. You can also erase any part of the image, with raster erase and raster outline. Then draw BricsCAD vectors over the top of the image. *Picture to the left shows the selection of raster to be removed highlighted in green.*

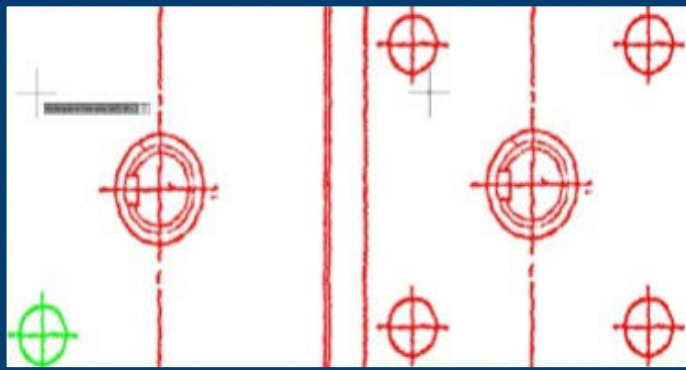
INTELLIGENT OBJECT PICKING™

GTX's Intelligent Object Picking (IOP) technology allows you to work with raster entities as intelligent objects. Use this feature to select raster entities (line, arc, circle) even if touching other data. Use the AllText IOP to select all raster text entities. IOP preserves underlying geometry during erase and raster to vector conversion.

Raster IOP Selection



Before Raster Editing—After Raster Editing



EFFICIENT RASTER EDITING

Raster editing features include both efficient cleanup and image restoration capability with powerful raster manipulation commands, allowing you to edit and save the raster data. Raster data can also be traced using BricsCAD design tools and stored or plotted as hybrid files. Or, convert vector entities into raster.

PDF Support

You can now load a black and white or color scanned PDF into GTXRaster CAD Series 2025 buy using the NEW gPDFATTACH command. This gives you the ability to convert your PDF scans into Tiff and you can also save from Tiff to PDF. By using the NEW gPDFSAVE command.

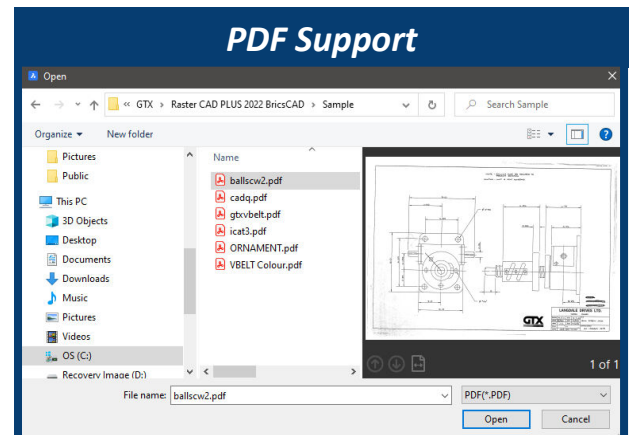


gPDFATTACH Command Icon.

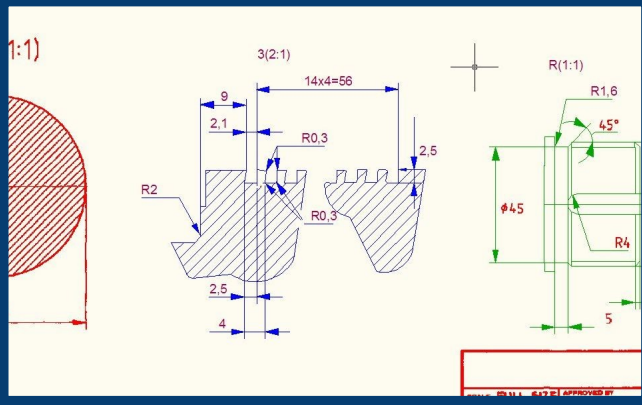


gPDFSAVE Command Icon.

PDF Support



Raster To Vector Conversion



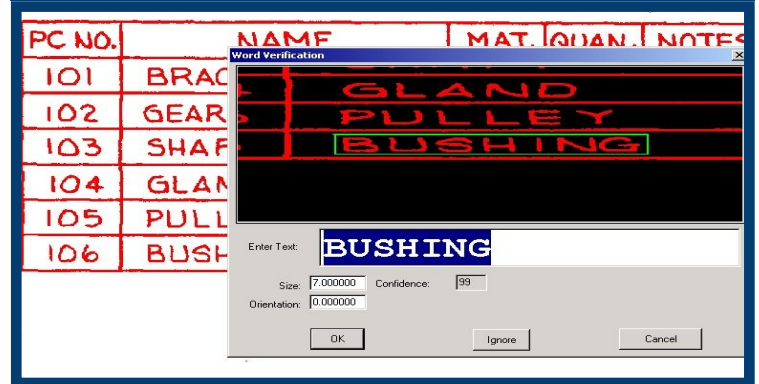
AUTOMATIC RASTER-TO-VECTOR CONVERSION

Quickly convert any or all selected raster into rectified and accurate BricsCAD entities. Convert selected raster objects into intelligent BricsCAD entities such as lines, arcs, circles, polylines, and true BricsCAD text. Its ability to recognize line styles, splines, cross-hatching, arrowheads, and also the ability to set a gap jump variable, further increase conversion accuracy.

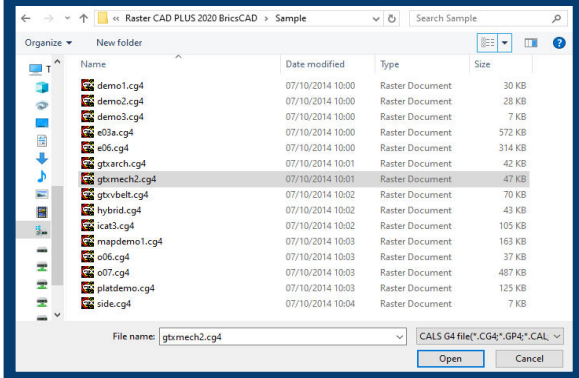
GTX®ICR™ TEXT RECOGNITION

GTX ICR provides true Intelligent Character Recognition (ICR), based on hybrid neural-net technology. Train the software to automatically recognize text characters associated with individual or company drafting styles.

ICR Character/Word Recognition



Import/Export



IMPORT & EXPORT

The New gIMPORT & gEXPORT commands will allow users to import and export .CAL and .CG4 formats directly into and out of BricsCAD.

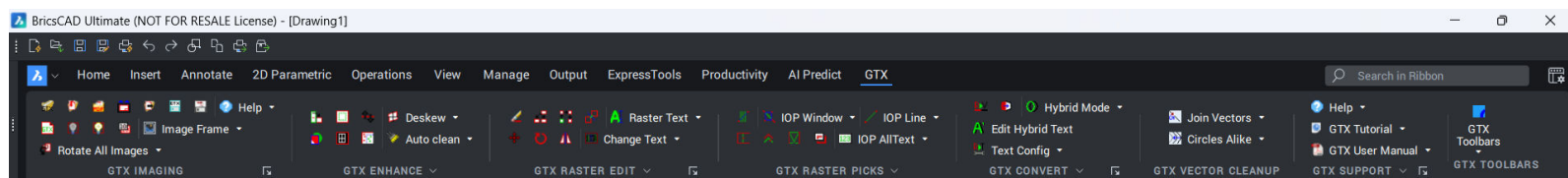
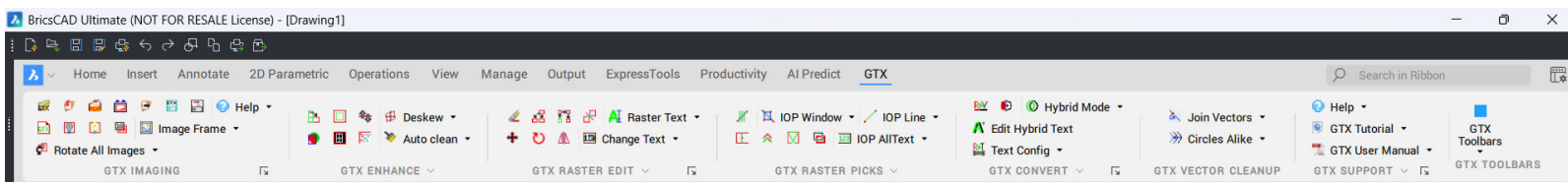


gIMPORT Command Icon.



gEXPORT Command Icon.

GTX has improved the user interface for BricsCAD V25 New and Updated GTX icons and Ribbons now support the New “Light” and “Dark” color schemes.



KEY FEATURES

- Fully Compatible and Optimized to run in the BricsCAD V25 environment

DRAWING MANAGEMENT

- Enhanced PDF image support, Import PDF files, Save PDF to Tiff and Tiff to PDF
- Multiple Drawing Environment
- Cut raster image to file or buffer
- Insert a raster image or symbol into the current drawing
- Quick save of vector objects into the current drawing
- Convert vector objects to raster data for saving
- Create a new raster image

IMAGE CLEANUP

- Interactive despeckle
- Image cropping
- Manual Despeckle and Noise Removal
- Correct distortion on warped images
- Move, copy, scale, mirror and rotate images
- Draw lines or erase raster
- Smoothing

AUTOMATIC IMAGE CLEANUP

- AutoDeskew
- AutoClean
- Auto Deskew and Noise Removal
- RASTER EDITING

- Enhanced Multiple Copy command for raster objects
- Enhanced Raster Text Commands:
 - Type and Edit Raster Text
 - Enhanced Hybrid Text Editor
- Enhanced IOP Commands, IOP Rotated Window, Rotated Inside Window & Rotated Crossing Window
- Raster Editing Commands
- Change Raster Line, Arc & Circle
- Raster Slice Command
- 22 raster selection methods (IOP), Including 7 raster snap modes ensure precise editing
- Preserve intersections on edits
- Pick touching text
- Edge rasterization
- Raster symbols
- Turn, Move, Copy, Scale, Rotate, Array and Mirror selected raster data
- Cut-Paste between drawings
- Change or stretch raster objects
- Convert raster entities into vector entities
- Convert vector entities into raster data
- Raster drafting commands text, lines, arcs, circles, rectangles
- True Type Font rasterization

HYBRID EDITING

- Enhanced Hybrid Drawing Mode:
 - Allows simultaneous creation of both vector and raster entities, including text.
- Drawing registration
- Migrate Raster Design /CAD Overlay® legacy data
- Full hybrid snap
- Import viewer redlines

GEOMETRY RECOGNITION

- Selective or full conversion
- Dashed arc recognition
- True arc/circle recognition
- Boundary/Edge tracing
- Intersection cleanup
- Ortho and angle snap
- Contour/Polyline recognition
- "Z" value (elevation) option
- Polyline smoothing
- Edge recognition and snap
- Dashed line alignment
- Cross-hatch recognition and separation
- Line, arc, circle & arrowhead recognition

TEXT RECOGNITION

- Character recognition
- Word recognition
- Size independent
- Font independent
- Orientation independent
- Combinations of training files
- Neural network engine
- Trainable character sets
- Trainable font recognition
- Training file editing
- Open Format / Plain Text dictionary
- Pattern matching

VECTOR CLEANUP

- Post vectorizing cleanup tools
- Line deskewing
- Line relimiting
- Line joining
- Circle concentric function
- Circle alike function
- Layer control

ADDITIONAL PRODUCT FEATURES

- New Borrow License option for Network FlexLM licensing
- Automatic snap to raster or vector entities using AutoSnap™
- Seamless hybrid plotting
- Floating Network License Option
- Support for raster in paper space
- Multiple raster/vector undos
- Integrated "Save" commands
- Automatic color/grey reduction to bitonal
- GTXRastrans converts between supported raster formats.
- AutoLISP® support for all GTX commands
- Software licensing option based on the new Flexera™ FLEX Net® technology

Note:

The HASP Hardware Lock license option is no longer available for this new version of GTXRaster CAD 2025 Series, if you are using a 64 bit PC / OS then you will need to use the Flexera™ FLEX Net® Software License option, for more details please contact your Local GTX Reseller.

This comparison chart shows an extract of the different functions in each module.

	GTXRaster CAD	GTXRaster CAD PLUS
Color Management	●	●
Color Separation	●	●
Color Reduction	●	●
Raster Management	●	●
Raster Cleanup	●	●
Raster Warping	●	●
Raster Editing	●	●
PDF Support	●	●
IOP (Intelligent Object Picking)	●	●
Multiple Raster Undos	●	●
Raster Smoothing	●	●
Raster Snap	●	●
Hybrid Snap	●	●
Raster-To-Vector Conversion	●	●
Vector-To-Raster Conversion	●	●
Vector Cleanup	●	●
GTX ICR Text Recognition	●	●
MDE Enabled	●	●
True Type Rasterization	●	●
GTXRastrans Raster Translator	●	●
AutoLisp® Support	●	●

MINIMUM SYSTEM REQUIREMENTS

BricsCAD Requirements:

Full BricsCAD® Pro V25 (64 Bit Only)

Operating System

Microsoft® Windows 11™ (64 Bit)
 Microsoft® Windows 10™ (64 Bit)
 Microsoft® Windows 8/8.1™ (64 Bit)

RECOMMENDED HARDWARE:

CPU:

Intel® Pentium® 4 processor, 2.2 GHz, with SSE2 technology Recommended

Drive space:

350 MB free hard disk space for installation

Virtual memory:

1 GB swap file, or greater

Memory:

2 GB RAM (Minimum)

Display:

1025 X 768 VGA with True Color

